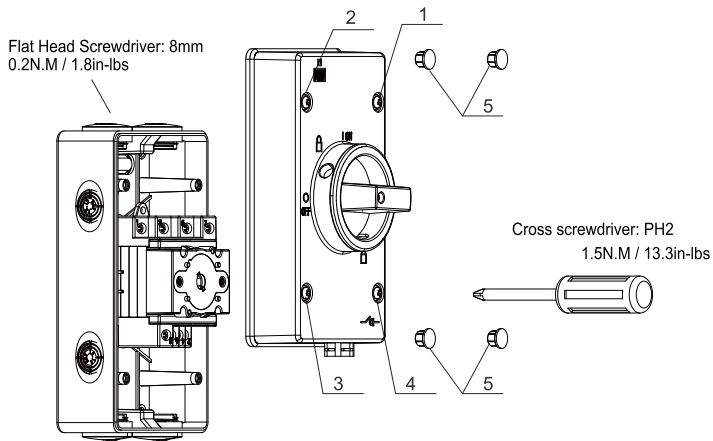


EDSIEL/N(S)

ENCLOSURE DC ISOLATOR

Instructions for Installation and Operation



- Be sure number(1,3,5,7) on switch and "IP66NW" on cover are not inverted.
- Rotate Handel to the "OFF" position and locate shaft into switch body.
- Tighten screw 1,3,2,4 IN THAT ORDER.
- Make sure that number(5) is assembled on cover.

Instructions for Installation and Operation

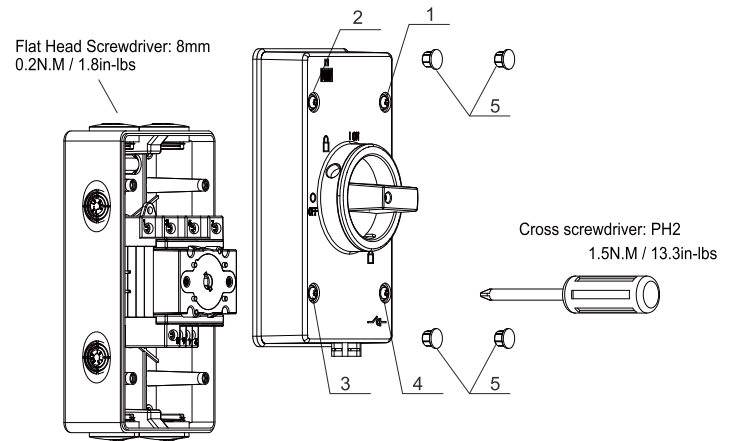
The switch with a box is suitable for outdoor use, lthe solar at 40 C=32A, lthe solar at 60 C=29A

Please note that all connections (including bridging link connections) should be tightening before energization.

EDSIEL/N(S)

ENCLOSURE DC ISOLATOR

Instructions for Installation and Operation



- Be sure number(1,3,5,7) on switch and "IP66NW" on cover are not inverted.
- Rotate Handel to the "OFF" position and locate shaft into switch body.
- Tighten screw 1,3,2,4 IN THAT ORDER.
- Make sure that number(5) is assembled on cover.

Instructions for Installation and Operation

The switch with a box is suitable for outdoor use, lthe solar at 40 C=32A, lthe solar at 60 C=29A

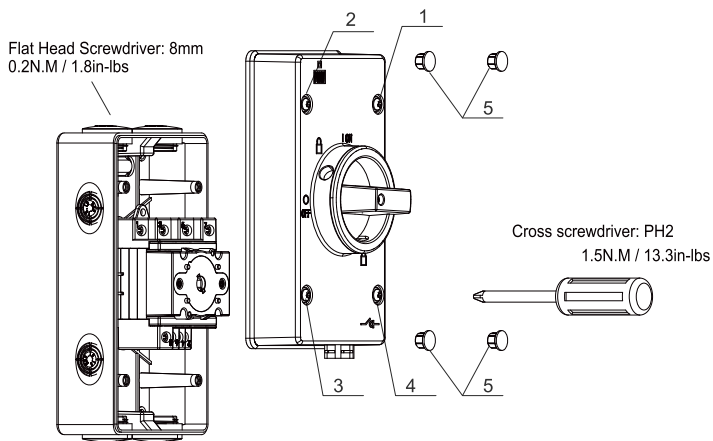
Please note that all connections (including bridging link connections) should be tightening before energization.



EDSIEL/N(S)

ENCLOSURE DC ISOLATOR

Instructions for Installation and Operation



- Be sure number(1,3,5,7) on switch and "IP66NW" on cover are not inverted.
- Rotate Handel to the "OFF" position and locate shaft into switch body.
- Tighten screw 1,3,2,4 IN THAT ORDER.
- Make sure that number(5) is assembled on cover.

Instructions for Installation and Operation

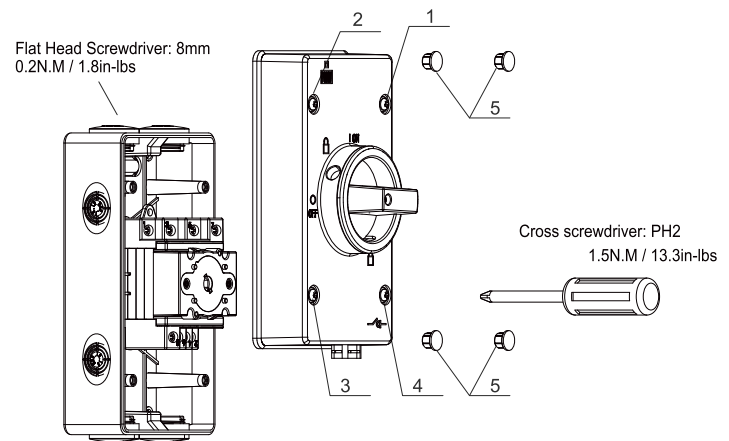
The switch with a box is suitable for outdoor use, lthe solar at 40 C=32A, lthe solar at 60 C=29A

Please note that all connections (including bridging link connections) should be tightening before energization.

EDSIEL/N(S)

ENCLOSURE DC ISOLATOR

Instructions for Installation and Operation



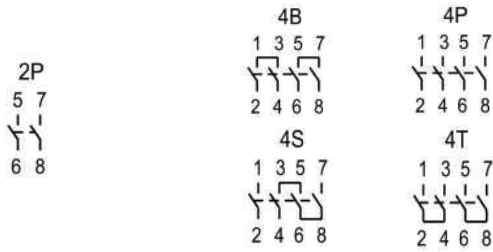
- Be sure number(1,3,5,7) on switch and "IP66NW" on cover are not inverted.
- Rotate Handel to the "OFF" position and locate shaft into switch body.
- Tighten screw 1,3,2,4 IN THAT ORDER.
- Make sure that number(5) is assembled on cover.

Instructions for Installation and Operation

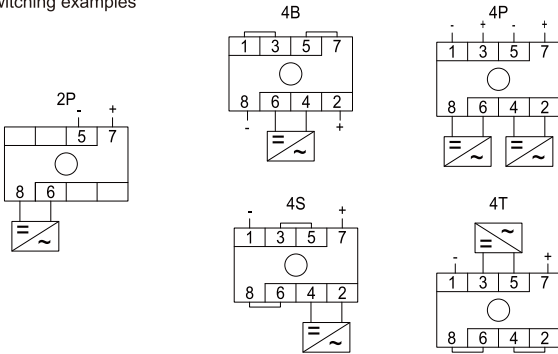
The switch with a box is suitable for outdoor use, lthe solar at 40 C=32A, lthe solar at 60 C=29A

Please note that all connections (including bridging link connections) should be tightening before energization.

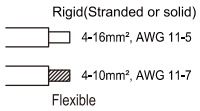
DC Switch Disconnecter for Photovoltaics Wiring diagram



Switching examples



Cable cross sections

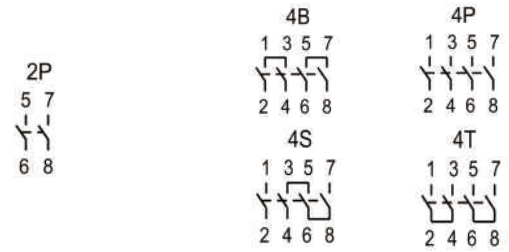


Screwdriver, Tightening torque

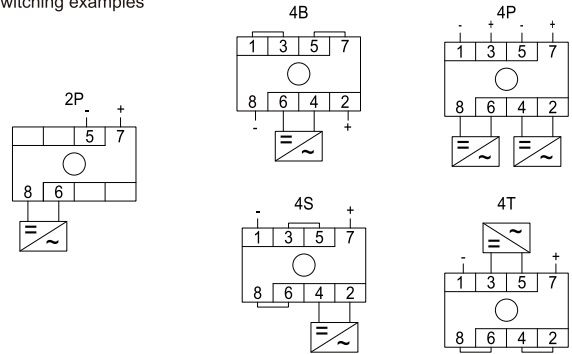


Mounting Type	Enclosure(IP66NW)	Vertically or Horizontally
	Switch body(IP20)	Vertically ↑↑

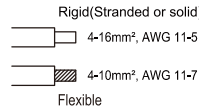
DC Switch Disconnecter for Photovoltaics Wiring diagram



Switching examples



Cable cross sections



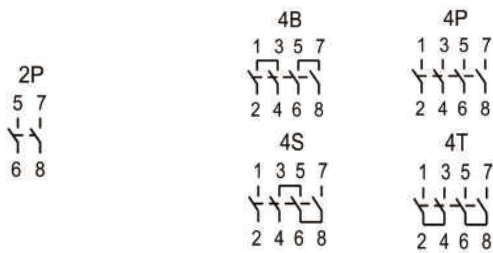
Screwdriver, Tightening torque



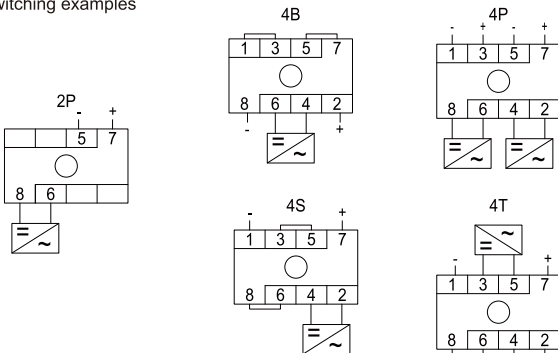
Mounting Type	Enclosure(IP66NW)	Vertically or Horizontally
	Switch body(IP20)	Vertically ↑↑



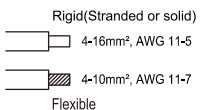
DC Switch Disconnecter for Photovoltaics Wiring diagram



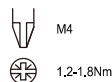
Switching examples



Cable cross sections

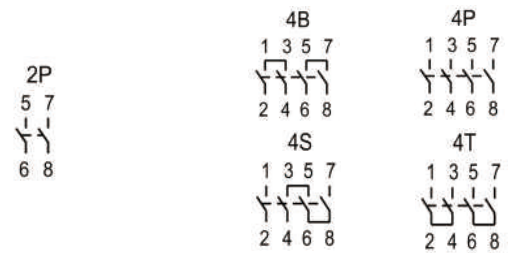


Screwdriver, Tightening torque

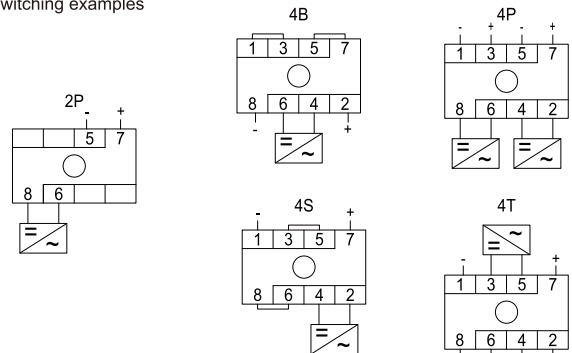


Mounting Type	Enclosure(IP66NW)	Vertically or Horizontally
	Switch body(IP20)	Vertically ↑↑

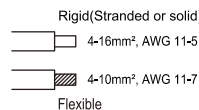
DC Switch Disconnecter for Photovoltaics Wiring diagram



Switching examples



Cable cross sections



Screwdriver, Tightening torque



Mounting Type	Enclosure(IP66NW)	Vertically or Horizontally
	Switch body(IP20)	Vertically ↑↑