

Technical information:

1. All size units "mm".
2. Module size is 2000*992*40mm, unit array is 2x1 panels(2pcs) . With 10° -60° of inclination.



TRIPSOLAR

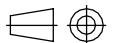
Unit

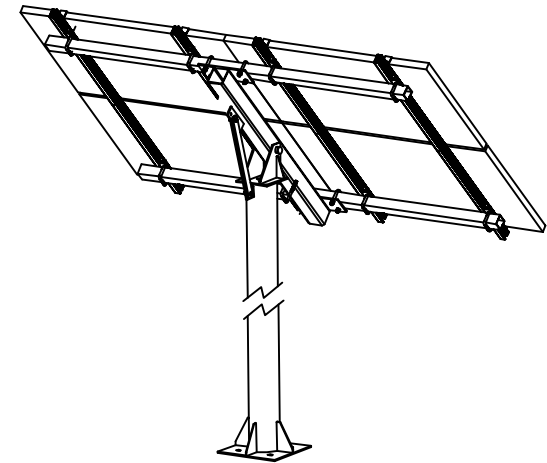
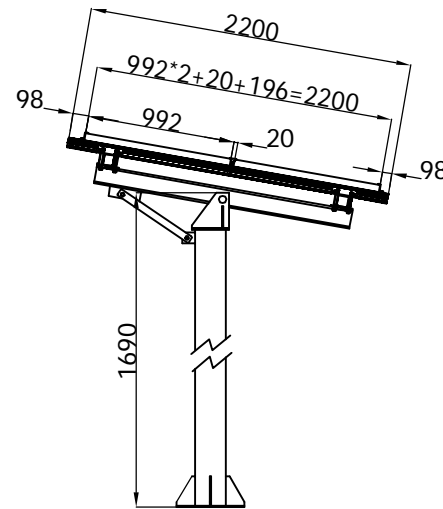
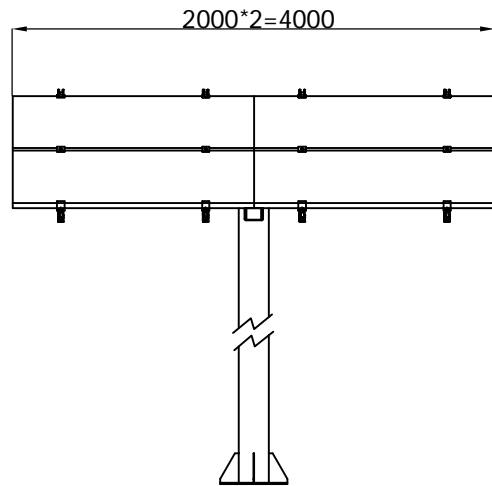
View

DESCRIPTION:


2 solar panel pole bracket

mm





Technical information:
 1. All size units "mm".
 2. Module size is 2000*992*40mm, unit array is
 2x2 panels(4pcs) .With 10 ° -60 ° of inclination.

 TRIPSOLAR	Unit	View
DESCRIPTION: 4 solar panel pole bracket	mm	